

The V580 is a single-width, C-size, register-based, VXIbus module that contains 68 two-pole, double-throw relays.

The V580-ZA11 may be configured as two 1 x 25 multiplexers or a single 1 x 50 multiplexer. The V580-ZB11 may be configured as two 1 x 34 differential multiplexers or a single 1 x 68 differential multiplexer.

TYPICAL APPLICATIONS

Data acquisition systems
Laboratory automation
Voltage monitoring
Industrial process control

V580 Relay Multiplexer



Multiplex up to 68 differential channels

FEATURES

- Up to 68 differential channels
- 50P or 68P High Density connector options
- Programmable on a per-channel basis
- 50P option can be configured as two 1 x 25 multiplexers or one 1 x 50 multiplexer
- 68P option can be configured as two 1 x 34 multiplexers or one 1 x 68 multiplexer

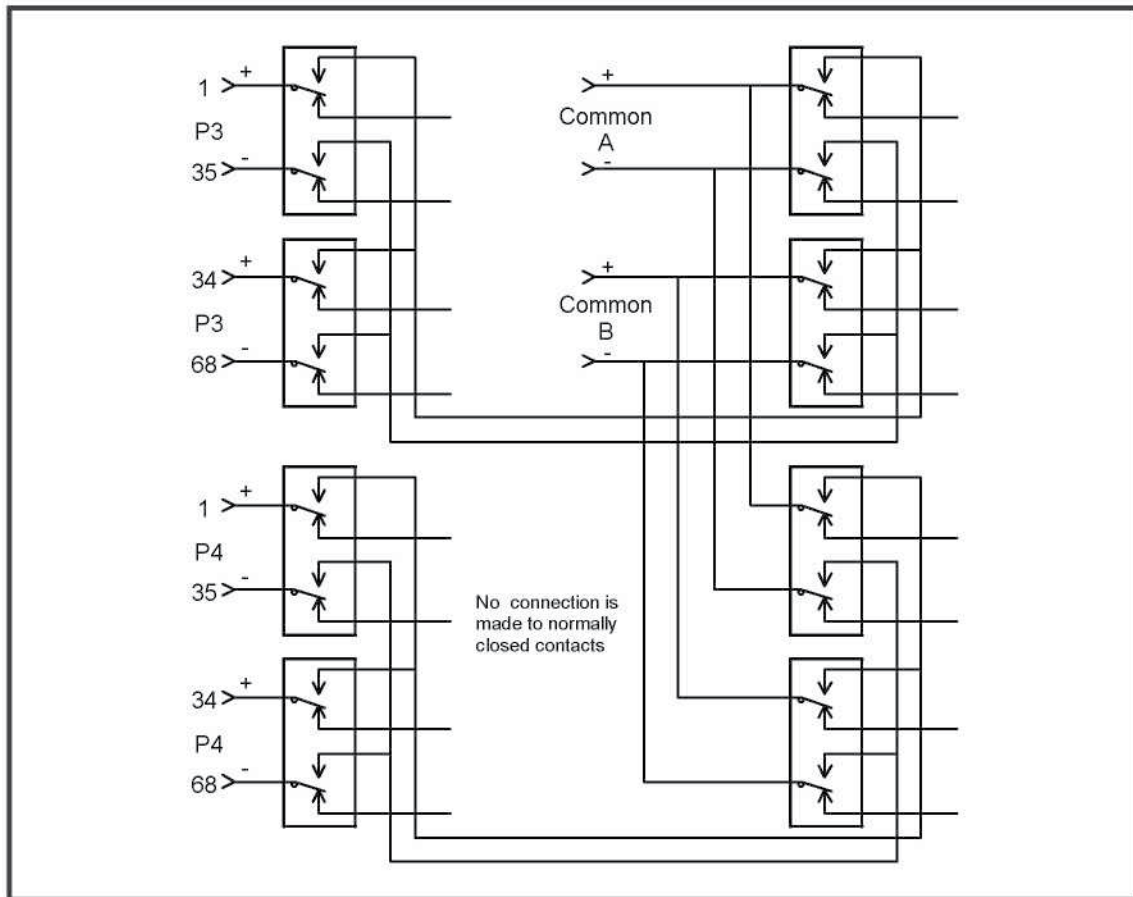
GENERAL DESCRIPTION

The V580 is a single-width, C-size, register-based, VXIbus module that contains 68 two-pole, double-throw relays.

The V580-ZA11 may be configured as two 1 x 25 multiplexers or a single 1 x 50 multiplexer. The V580-ZB11 may be configured as two 1 x 34 differential multiplexers or a single 1 x 68 differential multiplexer. The input of the multiplexer is available through two balanced-pair, 2-contact LEMO connectors. The output is available through two 50P or 68P High Density connectors.

The V580 supports both static and dynamic configuration. It may be accessed using A24/A16, D16 data transfers.

V580 Switching Diagram



RELATED PRODUCTS

- Model 5857-Cxyz Cable—2-contact LEMO to Unterminated
- Model 5857-Dxyz Cable—2-contact LEMO to 2-contact LEMO
- Model 5857-Gxyz Cable—2-contact LEMO to BNC shielded
- Model 5819-Bxyz Cable—50S High Density to Unterminated
- Model 5819-Fxyz Cable—50S High Density to 50P High Density (V580-ZA11 to V765)
- Model 5819-Gxyz Cable—50S High Density to 50S High Density
- Model 5868-Bxyz Cable—68S High Density to Unterminated
- Model 5868-Dxyz Cable—68S High Density to 68P High Density (V580-ZB11 to V765)
- Model 5868-Exyz Cable—68S High Density to 68P High Density
- Model 5868-Gxyz Cable—68S High Density to 50P High Density
- Model 5868-Hxyz Cable—68S High Density to 50S High Density
- Model V765-ZA11 Rack-mount Termination Panel

ORDERING INFORMATION

MODEL	DESCRIPTION
V580-ZA11	Relay Multiplexer, 50P High Density
V580-ZB11	Relay Multiplexer, 68P High Density

Updated October 24, 2005

Copyright © 2005 KineticSystems Company, LLC. All rights reserved.

KineticSystems Company, LLC

900 N. State St.
Lockport, IL 60441-2200

Toll-Free (US and Canada):

phone 1-800-DATA NOW
1-800-328-2669

Direct:

phone +1-815-838-0005
fax +1-815-838-4424

Email:

mkt-info@kscorp.com

To find your local sales representative or distributor or to learn more about KineticSystems' products visit:

www.kscorp.com