

The V581 is a single-width, C-size, register-based, VXIbus module that contains 68 two-pole, double-throw relays for calibrating individual analog channels in data acquisition systems.

Wiring from the transducers is brought in to the 50P or 68P High Density Connectors (P3 and P4) on the front panel.

APPLICATIONS

Jet and rocket engine testing
Data acquisition systems with per-channel calibration requirements

V581

Calibration Relay Module



Connect 1 or 2 calibration sources to up to 68 differential channels

FEATURES

- Up to 68 differential channels
- 50P and 68P High Density connector options available
- Programmable on a per-channel basis
- Differential inputs and outputs
- Can route 1 of 2 instruments to any of 68 channels

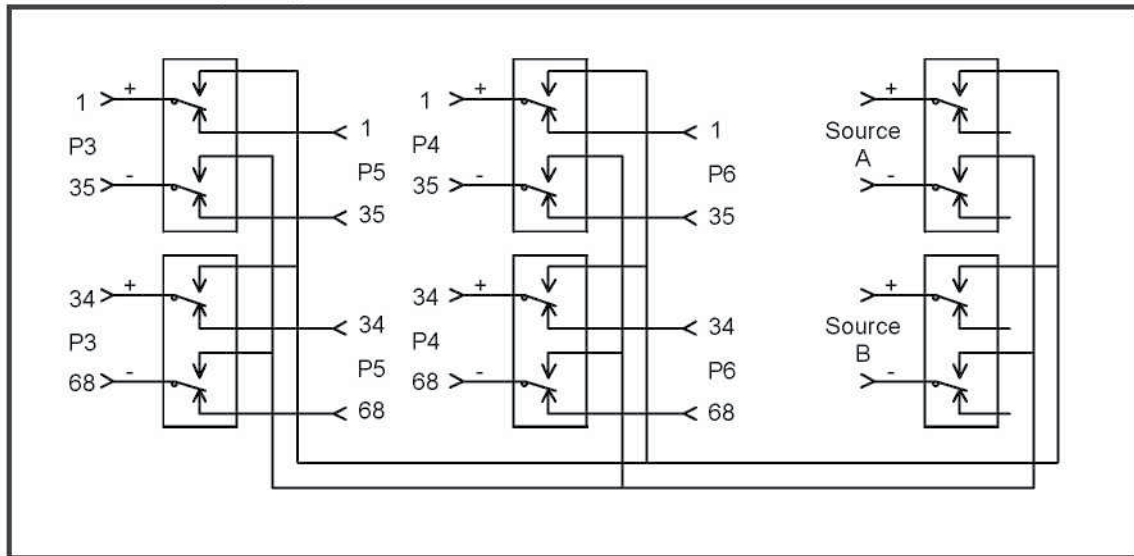
GENERAL DESCRIPTION

The V581 is a single-width, C-size, register-based, VXIbus module that contains 68 two-pole, double-throw relays for calibrating individual analog channels in data acquisition systems. Wiring from the transducers is brought in to the 50P or 68P High Density Connectors (P3 and P4) on the front panel. Two additional High Density Connectors (P5 and P6) provide a path to the data system. Any channel from the data system may be connected to either of two instruments for calibration, or to the field wiring, under program control. The calibration source is available through two balanced-pair, 2-contact LEMO connectors.

The V581 supports both static and dynamic configuration. It may be accessed using A24/A16, D16 data transfers.

Note that this module is intended for calibration of voltage input/output data acquisition channels (monitoring thermocouples, etc.) and should not be used between RTDs, strain gages, etc. and their associated bridge modules.

V581 Switching Diagram





RELATED PRODUCTS

- Model 5857-Cxyz Cable—2-contact LEMO to Unterminated
- Model 5857-Dxyz Cable—2-contact LEMO to 2-contact LEMO
- Model 5857-Gxyz Cable—2-contact LEMO to BNC shielded
- Model 5819-Bxyz Cable—50S High Density to Unterminated
- Model 5819-Fxyz Cable—50S High Density to 50P High Density (V581-ZA11 to V765/V792)
- Model 5819-Gxyz Cable—50S High Density to 50S High Density
- Model 5868-Bxyz Cable—68S High Density to Unterminated
- Model 5868-Dxyz Cable—68S High Density to 68P High Density (V581-ZB11 to V765/V792)
- Model 5868-Exyz Cable—68S High Density to 68S High Density
- Model 5868-Gxyz Cable—68S High Density to 50P High Density
- Model 5868-Hxyz Cable—68S High Density to 50S High Density
- Model V765-ZA11 Rack-mount Termination Panel
- Model V792-ZA11 Rack-mount Isothermal Termination Panel

ORDERING INFORMATION

MODEL	DESCRIPTION
V581-ZA11	Calibration Relay Module, 50P High Density
V581-ZB11	Calibration Relay Module, 68P High Density

Updated October 24, 2005

Copyright © 2005 KineticSystems Company, LLC. All rights reserved.

KineticSystems Company, LLC

900 N. State St.
Lockport, IL 60441-2200

Toll-Free (US and Canada):

phone 1-800-DATA NOW
1-800-328-2669

Direct:

phone +1-815-838-0005
fax +1-815-838-4424

Email:

mkt-info@kscorp.com

To find your local sales representative or distributor or to learn more about KineticSystems' products visit:

www.kscorp.com